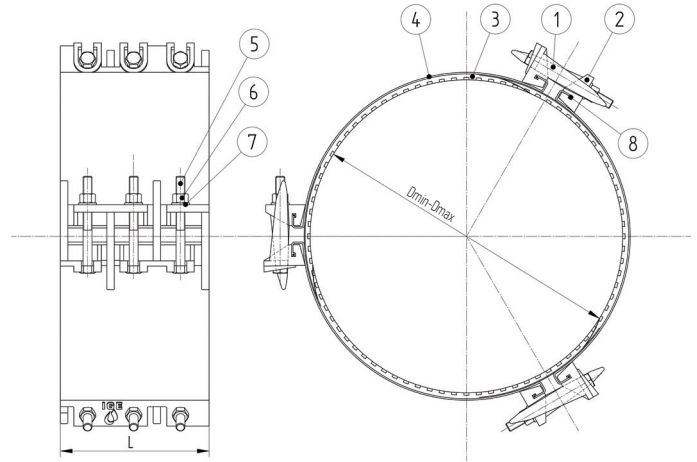
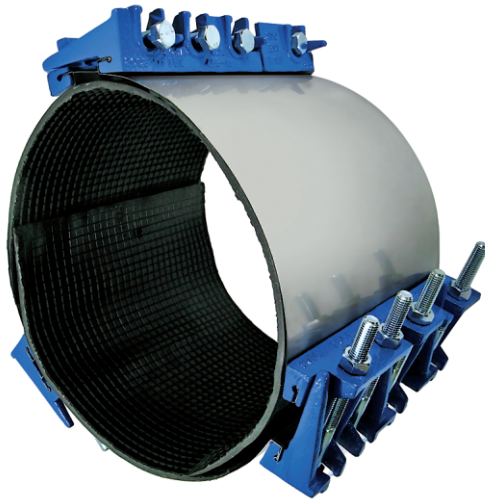




Wrap around repair clamp in three sections multibolt "INOXGIS"



USE:

- For the repairing of pipelines made of different materials
- Other dimensions and lengths on request

MATERIALS:

- 1,2 - lugs - ductile cast iron protected with epoxy powder coating
- 3 - gasket - EPDM or NBR rubber
- 4 - band - stainless steel
- 5-6 - nuts and bolts - galvanized steel - optional: stainless steel
- 7 - washers: optional

The product has been certified as suitable for contact with potable water.

Technical data sheet indicative and not binding, Idro Gas can change the informations contained in any moment without notice.

Range [mm] D _{min} - D _{max}	Clamp length and bolts number					Notes
	Length L=200[mm]	Length L=300[mm]	Length L=400[mm]	Length L=500[mm]	Length L=600[mm]	
300 - 330	9	12	18	21	27	
330 - 360	9	12	18	21	27	
360 - 390	9	12	18	21	27	
390 - 420	9	12	18	21	27	
420 - 450	9	12	18	21	27	
450 - 480	9	12	18	21	27	
480 - 510	9	12	18	21	27	
510 - 540	9	12	18	21	27	
540 - 570	9	12	18	21	27	
570 - 600	9	12	18	21	27	
600 - 630	9	12	18	21	27	
630 - 660	9	12	18	21	27	
660 - 690	9	12	18	21	27	
690 - 720	9	12	18	21	27	
720 - 750	9	12	18	21	27	
750 - 780	9	12	18	21	27	