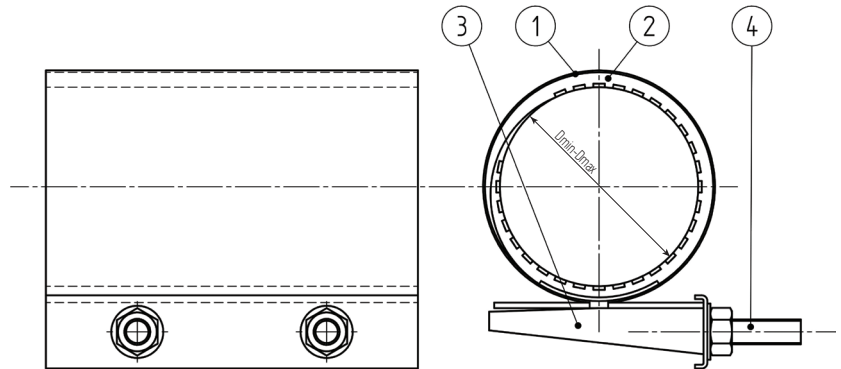




Full stainless steel repair clamp in one section "ETERNO"



■ USE:

- For the repairing of pipelines in water supply networks
- Other dimensions on request

■ MATERIALS:

- 1 - band - stainless steel
- 2 - gasket - EPDM rubber
- 3 - tension lock - stainless steel
- 4 - bolts washers, nuts - stainless steel

Note: teflon coating on bolts only

The product has been certified as suitable for contact with potable water.

Technical data sheet indicative and not binding, Idro Gas can change the informations contained in any moment without notice.

Range / mm	Clamp length and bolts number			Notes
	Length L=200[mm]	Length L=300[mm]	Length L=400[mm]	
54-58	2	3	4	
67-74	2	3	4	
76-83	2	3	4	
82-89	2	3	4	
96-106	2	3	4	
108-118	2	3	4	
125-135	2	3	4	
139-149	2	3	4	
151-161	2	3	4	
165-175	2	3	4	
176-186	2	3	4	
193-203	2	3	4	
205-215	2	3	4	
219-229	2	3	4	
239-249	2	3	4	
252-262	2	3	4	
271-281	2	3	4	
294-304	2	3	4	
320-330	2	3	4	