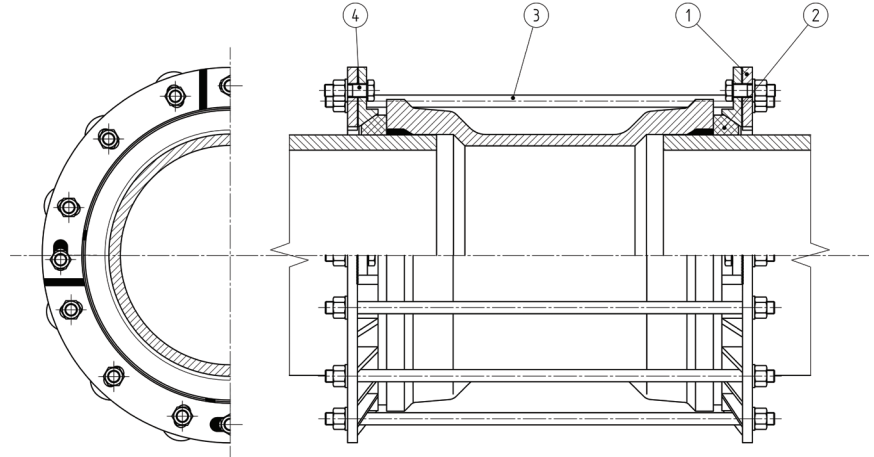
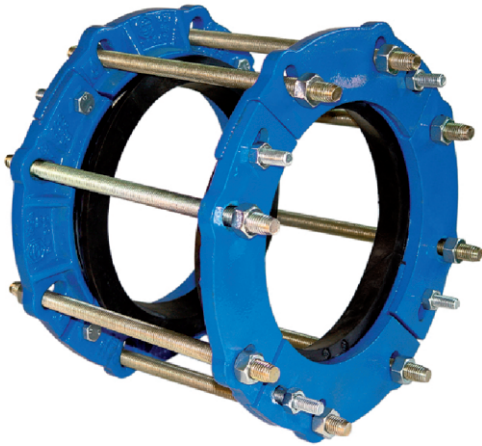




**Adjustable repair clamp
"STOP C" - double gasket**



■ USE:

- For the repairing of couplings on A/C pipes
- Other dimensions on request

■ MATERIALS:

- 1 - body - ductile cast iron protected with epoxy powder coating
- 2 - gasket EPDM rubber
- 3-4 - nuts, bolts, washers: galvanized steel
- optional: stainless steel

The product has been certified as suitable for contact with potable water.
Technical data sheet indicative and not binding, Idro Gas can change the informations contained in any moment without notice.

| DN | Range [mm] D _{min} - D _{max} | Bolts | | Number of tie rods | Number of sectors (x2) | Notes |
|------|---|-------|-------|--------------------|------------------------|-------|
| | | N° | Diam. | | | |
| 50 | 63-70 | 4 | M12 | 4 | 2 | |
| 60 | 72-80 | 6 | M12 | 6 | 3 | |
| 80 | 98-104 | 6 | M12 | 6 | 3 | |
| 100 | 118-124 | 6 | M12 | 6 | 3 | |
| 125 | 144-154 | 6 | M12 | 6 | 3 | |
| 150 | 170-180 | 6 | M12 | 8 | 3 | |
| 175 | 196-212 | 8 | M12 | 8 | 4 | |
| 200 | 222-238 | 8 | M12 | 8 | 4 | |
| 225 | 248-246 | 8 | M12 | 12 | 4 | |
| 250 | 274-292 | 8 | M14 | 12 | 4 | |
| 275 | 304-322 | 8 | M14 | 12 | 4 | |
| 300 | 326-344 | 8 | M16 | 12 | 4 | |
| 325 | 355-370 | 8 | M16 | 16 | 4 | |
| 350 | 378-396 | 8 | M16 | 16 | 4 | |
| 400 | 429-455 | 10 | M16 | 15 | 5 | |
| 425 | 455-475 | 10 | M16 | 15 | 5 | |
| 450 | 480-510 | 10 | M16 | 15 | 5 | |
| 500 | 532-560 | 10 | M16 | 20 | 5 | |
| 600 | 634-662 | 20 | M16 | 25 | 5 | |
| 625 | 645-670 | 24 | M16 | 25 | 6 | |
| 650 | 690-715 | 24 | M16 | 25 | 6 | |
| 700 | 738-768 | 24 | M16 | 24 | 6 | |
| 750 | 814-840 | 32 | M16 | 25 | 8 | |
| 800 | 842-882 | 32 | M16 | 32 | 8 | |
| 1000 | 1048-1090 | 36 | M16 | 36 | 9 | |
| 1200 | 1256-1298 | 40 | M16 | 40 | 10 | |