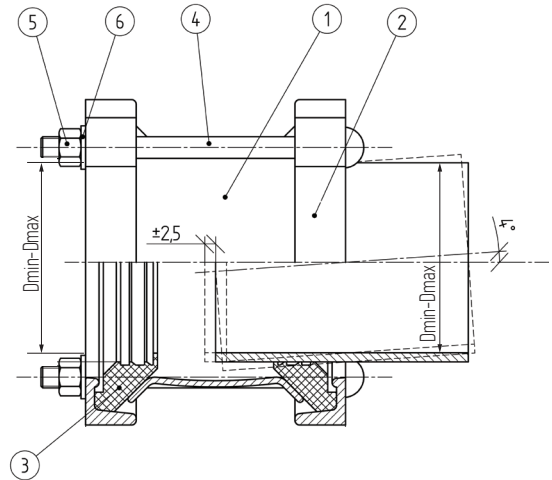




## Medium range coupling "UNIVERSAL BF"



### ■ USE:

- For the connections of pipes made from different materials and/or different external diameters  
Allows for axial movement and angular deflection

### ■ NOTE:

- Not suitable for PE pipes
- Other dimensions on request

### ■ MATERIALS:

- 1 - body - steel protected with epoxy powder coating
- 2 - ductile iron end-rings
- 3 - gasket - EPDM rubber
- 4-6 - nuts, bolts, washers: galvanized steel

The product has been certified as suitable for contact with potable water.

Technical data sheet indicative and not binding, Idro Gas can change the informations contained in any moment without notice.

DN	Range [mm] D <sub>min</sub> - D <sub>max</sub>	Bolts		Notes
		N°	Diam.	
40	48-60	2	M12	
50	59-72	2	M12	
65	72-85	2	M12	
80	88-103	4	M12	
100	109-128	4	M12	
125	132-146	4	M12	
125/150	138-153	4	M12	
150	159-182	4	M12	
175	192-210	4	M12	
200	218-235	4	M12	
225	230-247	6	M12	
250	250-267	6	M12	
250	272-289	6	M12	
300	315-332	8	M12	
300	322-339	6	M12	
300	332-349	6	M12	
300	352-368	8	M12	
350	374-391	8	M16	
400	400-429	8	M16	
400	418-435	8	M16	
400	425-442	8	M16	
450	476-493	10	M16	
500	500-532	10	M16	
500	527-544	10	M16	
600	600-630	10	M16	
600	630-647	10	M16	