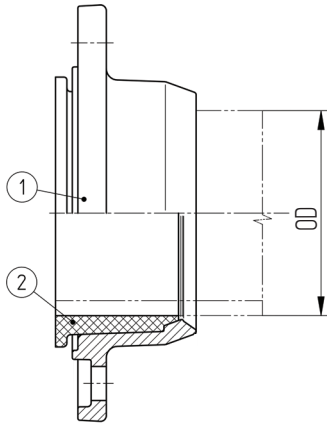


Flange adaptor "FACILE" & "FACILE R"



FACILE (without restraining system)



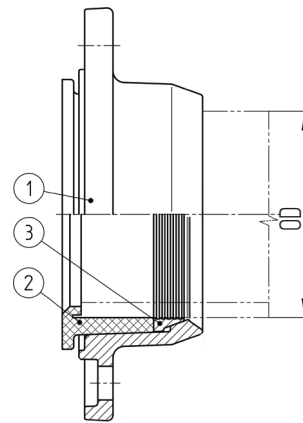
USE:

- Quick flange adaptor without restraining system for PVC pipes

MATERIALS:

- 1 - body - ductile cast iron protected with epoxy powder coating
- 2 - gasket - EPDM rubber

FACILE R (with restraining system)



USE:

- Quick flange adaptor with restraining system for PVC/PE pipes

MATERIALS:

- 1 - body - ductile cast iron protected with epoxy powder coating
- 2 - gasket - EPDM rubber
- 3 - clamping ring - brass

The product has been certified as suitable for contact with potable water.
Technical data sheet indicative and not binding. Idro Gas can change the informations contained in any moment without notice.

Type	OD mm	DN	Flange drilling	Notes	Type	OD mm	DN	Flange drilling	Notes
PVC	63	50	PN10/16		PVC/PE	63	50	PN10/16	
PVC	75	65	PN10/16		PVC/PE	75	65	PN10/16	
PVC	90	80	PN10/16		PVC/PE	90	80	PN10/16	
PVC	110	100	PN10/16		PVC/PE	110	100	PN10/16	
PVC	125	125	PN10/16		PVC/PE	125	125	PN10/16	
PVC	140	125	PN10/16		PVC/PE	140	125	PN10/16	
PVC	160	150	PN10/16		PVC/PE	160	150	PN10/16	
PVC	200	200	PN10/16		PVC/PE	200	200	PN10/16	